

Read these instructions before installation and retain for future reference

This equipment should be installed by a competent electrician



Important Information

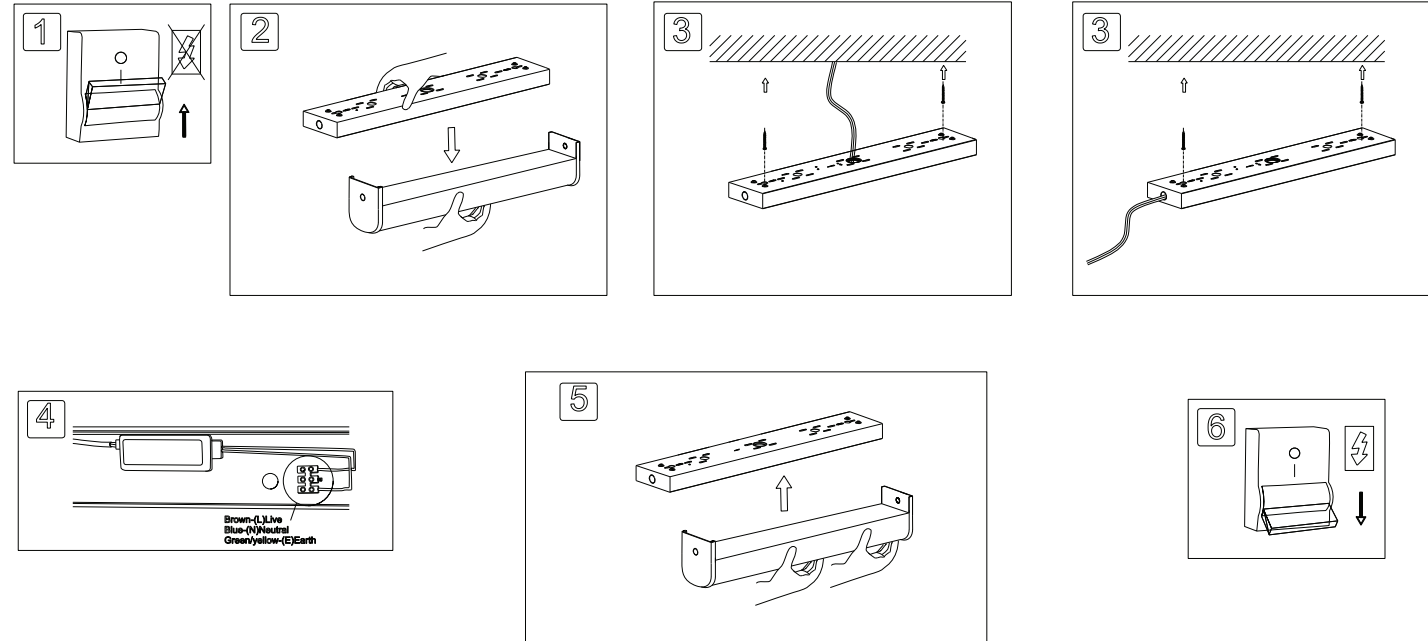
We recommend that luminaires are installed by a qualified electrician ensuring the installation complies with current IEE wiring regulations BS7671:2018 & local building control.

- All tests should be carried out in accordance to EN 50172:2004.
- BELL will not accept responsibility for any claims arising from a poor installation.
- The light source of this luminaire is not replaceable: when the light source reaches end of life, the whole luminaire must be replaced.
- Upgrading of MCB may be required.
- 1 year warranty on battery.
- You are advised to test 5 samples before mass application of sensor in a new lighting project. The distance between any inductive sensors should be greater than 3m.
- Microwave maximum operating height 3.2m.
- Operating Temperature -30°C to +35°C, emergency versions 0°C to +35°C.

Warning Before installation ensure power is disconnected.

This product may contain substances that can be hazardous to the environment if not disposed of properly. Electrical and electronic equipment should never be disposed of with general household waste but must be separated for its correct treatment and recovery.

Where possible recycle your packaging.



Testing & Commissioning for Emergency Luminaire

- Ensure the Load is connected.
- Connect the battery.
- Switch on the Unswitched Supply
- Check the Charge LED illuminates.
- Switch on the Maintained Supply
- Check the LED illuminates as normal.
- Switch off the Maintained Supply.
- Switch off the Unswitched Supply
- Check the Charge LED extinguishes and the load LED illuminates at a reduced output.
- Enter the commissioning date on the Battery Pack.
Switch on the Unswitched Supply



| | | | | | | | | | | | |
|-------------------------------|--------|--|------------------|------|--------|-----------------|--------|------|--------|------|--|
| <u>Luminaire Ref/Location</u> | | In Case of difficulty, contact the Installation Engineers:- Tel: _____ | | | | | | | | | |
| Full Recharge Time 24 Hours | | | Duration 3 Hours | | | Lamp Type - LED | | | | | |
| ROUTINE TEST RECORD | | | | | | | | | | | |
| | Year 1 | | Year 2 | | Year 3 | | Year 4 | | Year 5 | | |
| Monthly Test | Signed | Date | Signed | Date | Signed | Date | Signed | Date | Signed | Date | |
| Functional | | | | | | | | | | | |
| Functional | | | | | | | | | | | |
| Functional | | | | | | | | | | | |
| Functional | | | | | | | | | | | |
| Functional | | | | | | | | | | | |
| Functional | | | | | | | | | | | |
| Functional | | | | | | | | | | | |
| Functional | | | | | | | | | | | |
| Functional | | | | | | | | | | | |
| Functional | | | | | | | | | | | |
| Three Hour | | | | | | | | | | | |

On/Off

Detection range setting (sensitivity)

Detection range is the term used to describe the radius of the more or less circular detection zone produced on the ground after mounting the sensor light at a height of 2.5m. Put the switch to the ON position as "1", put switch to the OFF position as "0", switch location and detection range of the corresponding table is as follows:

| S1 | S2 | detection range |
|----|----|-----------------|
| 0 | 0 | 2m |
| 0 | 1 | 5m |
| 1 | 0 | 8m |
| 1 | 1 | 10m |

Maximum mounting height for Sensor versions 3.2M

Note: The above detection range is gained if the detected person is between 1.6m~1.7m tall and moves at a speed of 1.0~1.5m/second. If the subjects size is different and speed changes, the detection distance will also change.

Attention: When using this product, please adjust the sensitivity to an appropriate position, please do not adjust the sensitivity to maximum, in case the product works abnormally because of motion detection including blowing leaves & curtains, small animals, or even power grid & electrical equipment. All of the above can lead to abnormal operation. When the product does not work normally, please try to turn down the sensitivity, and then test it.

Time Setting: The light can be set to stay ON for any period of time between approx. 10sec and a maximum of 30min. Any movement detected before this time elapse will re-start the timer. It is recommended to select the shortest time for the detection zone and for performing the walk test. Put switch to the ON position as "1", put switch to the OFF position as "0", switch location and detection range of the corresponding table is as follows:

| S3 | S4 | S5 | TIME |
|----|----|----|-------|
| 0 | 0 | 00 | 10s |
| 0 | 0 | 1 | 1min |
| 0 | 1 | 0 | 5min |
| 0 | 1 | 1 | 10min |
| 1 | 0 | 0 | 15min |
| 1 | 0 | 1 | 20min |
| 1 | 1 | 0 | 25min |
| 1 | 1 | 1 | 30min |

Note: After the light switches OFF, it takes approx. 4 seconds before it is able to start detecting movement again. The light will only switch on in response to movement once this period has elapsed.

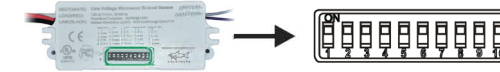
Light control settings: The chosen light response threshold can be set from approx. 10-500lux, put switch to the ON position as "1", put switch to the OFF position as "0", switch location and light-control of the corresponding table is as follows:

| S6 | S7 | S8 | LUX |
|----|----|----|--------|
| 0 | 0 | 0 | 24H |
| 0 | 0 | 1 | 10LUX |
| 0 | 1 | 0 | 20LUX |
| 0 | 1 | 1 | 50LUX |
| 1 | 0 | 0 | 100LUX |
| 1 | 0 | 1 | 200LUX |
| 1 | 1 | 0 | 300LUX |
| 1 | 1 | 1 | 500LUX |

Corridor Dim

PARAMETER SETTING BY DIP SWITCH

Consider the picture: 1, 2 set sensitivity; 3, 4 set hold time; 5, 6 set the lux; 7, 8 stand-by light level; 9, 10 set stand-by time;



Detection Range Setting (sensitivity)

Detection range is the term used to describe the radii of the circular detection zone produced on the ground after mounting the sensor light at a height of 3m, put the switch to the ON position as "↑", put the switch to the OFF position as "↓", switch location and detection range of the corresponding table is as follows:

| SENSITIVITY | 1 | 2 |
|-------------|---|------|
| ↓ | ↓ | 20% |
| ↓ | ↓ | 50% |
| ↑ | ↑ | 75% |
| ↑ | ↑ | 100% |

Hold Time Setting

The light can be set to stay ON for any period of time between 10sec and a maximum of 15min. Any movement detected before this time elapse will re-start the timer.

Put the switch to the ON position as "↑", put the switch to the OFF position as "↓", switch location and hold time of the corresponding table is as follows:

| TIME | 3 | 4 |
|------|---|-------|
| ↓ | ↓ | 10S |
| ↓ | ↓ | 1min |
| ↑ | ↑ | 5min |
| ↑ | ↑ | 15min |

Light-control Setting

The chosen light response threshold can be infinitely or 10-50lux, put the switch to the ON position as "↑", put the switch to the OFF position as "↓", switch location and light-control of the corresponding table is as follows:

| LIGHT | 5 | 6 |
|-------|---|--------------------------|
| ↓ | ↓ | ※ (light sensor disable) |
| ↓ | ↓ | 10Lux |
| ↑ | ↑ | 30Lux |
| ↑ | ↑ | 50Lux |

Stand-by Light Level Setting

Switch to the on is "↑", switch to the off is "↓"; The corresponding file of switch location and stand-by level below:

| STAND-BY LEVEL | 7 | 8 |
|----------------|---|-----|
| ↓ | ↓ | 0% |
| ↓ | ↓ | 10% |
| ↑ | ↑ | 30% |
| ↑ | ↑ | 50% |

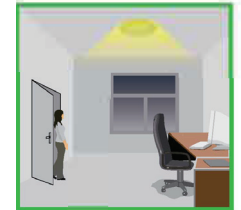
Stand-by Time Setting

Switch to the on is "↑", switch to the off is "↓"; File of switch location and stand-by time setting as follow:

| STAND-BY TIME | 9 | 10 |
|---------------|---|-------|
| ↓ | ↓ | +∞ |
| ↓ | ↓ | 1min |
| ↑ | ↑ | 30min |
| ↑ | ↑ | 60min |



With sufficient natural light, the light does not switch on when presence detected.



With insufficient natural light, the sensor switches on the light automatically when person enters the (options) standby level after the room. The lamp never switch off with presence, even the nature light is sufficient.



People left, light still dims to 0/10%/20%/30% (options) standby level after the hold time.



Light switches off automatically after the dimming time elapsed.